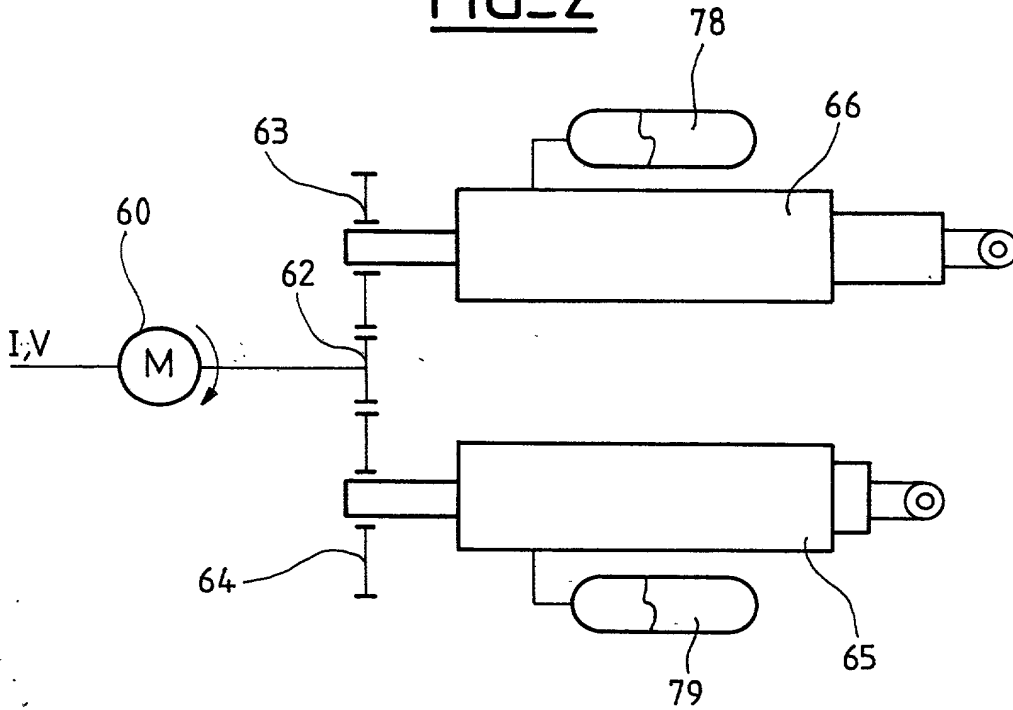
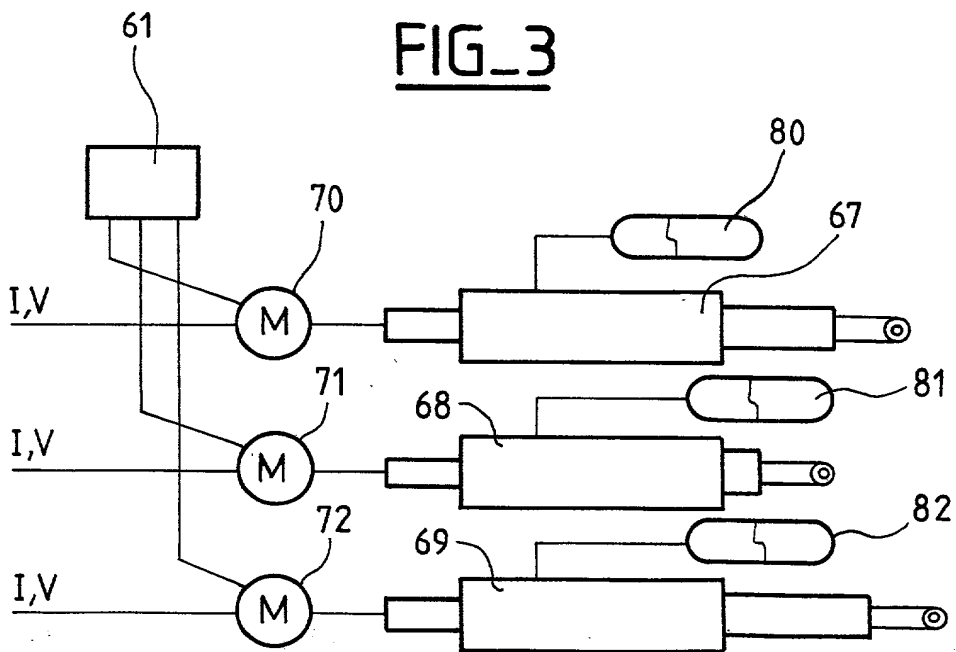


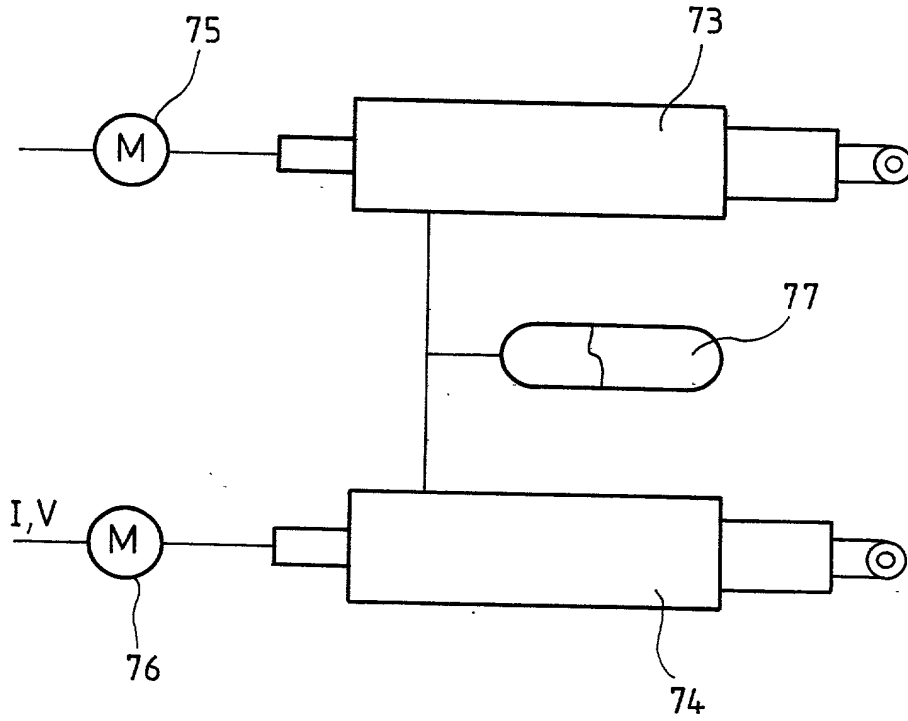
FIG_2



FIG_3



FIG_4



www.researchgate.net